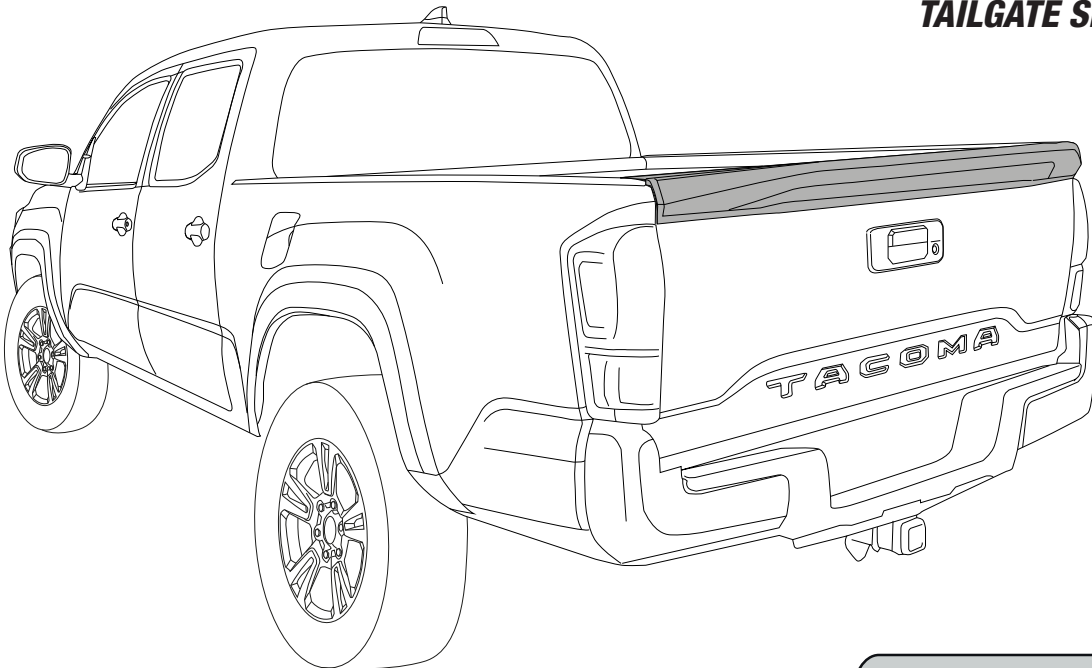


INSTALLATION MANUAL

TAILGATE SPOILER TACOMA 2016

PART # : TO02A15



**READ CAREFULLY
BEFORE INSTALLATION**



**WASH BEFORE
INSTALLING**



**WE RECOMMEND
2 PERSONS FOR
INSTALLATION**

AFTER INSTALLING

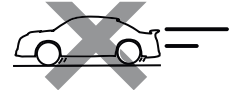
**DO NOT
WASH CAR**



24 hrs



**DRIVE SLOWLY
25 mph max**






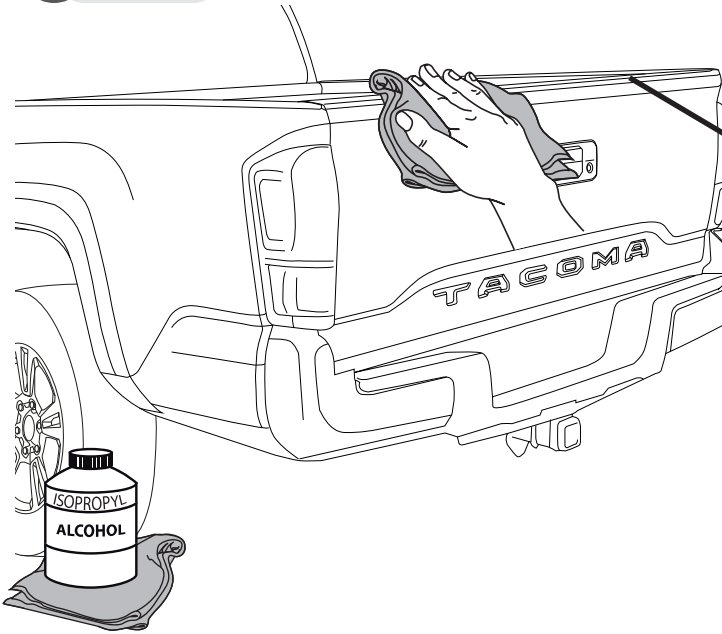
TOOLS



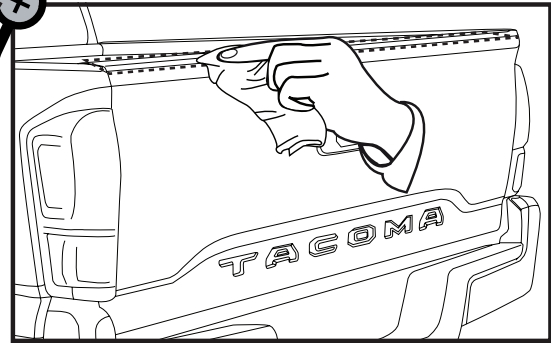
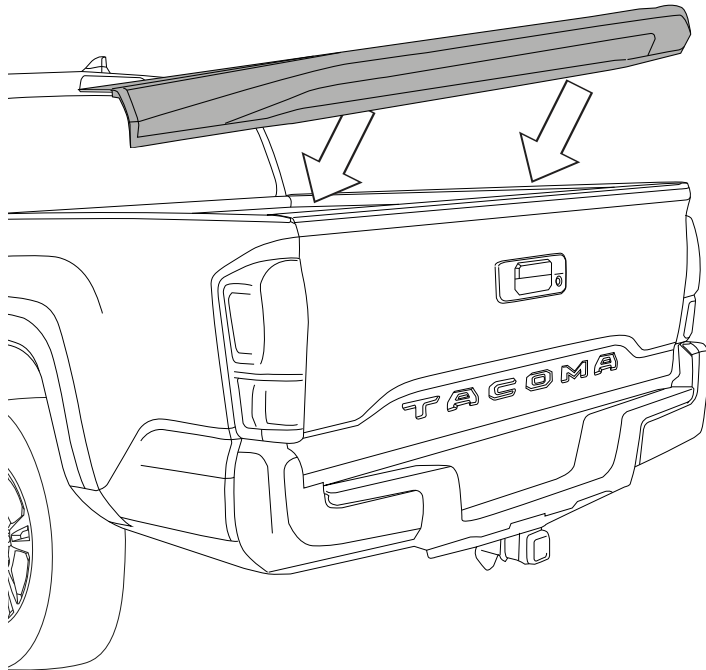
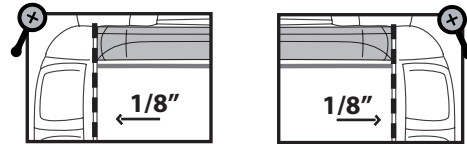
CHECK LIST

**Already installed in the part*

ITEM	DESCRIPTION	DRAWING	AMOUNT
A	*VHB TAPE		N/A
B	GREASE PENCIL		1 pc
C	ADHESION PROMOTER		1 pc

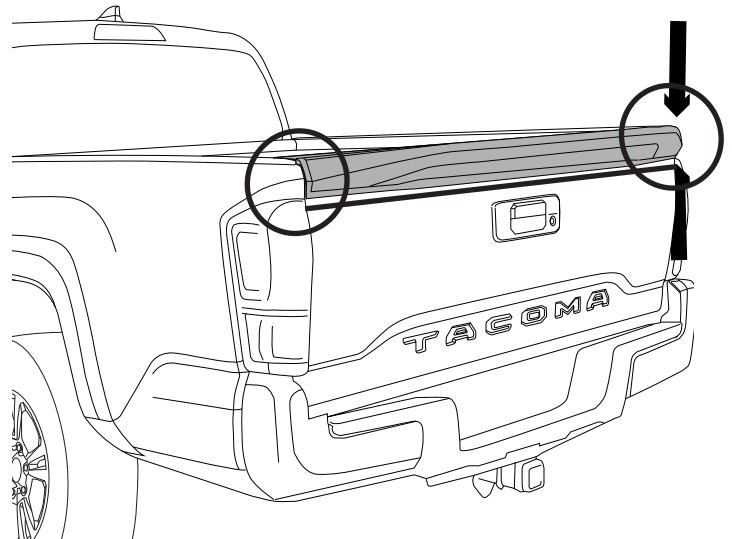
INSTALLATION MANUAL
1 CLEAN

IMPORTANT

ENSURE THE SURFACES ARE COMPLETELY CLEAN BEFORE INSTALLING


2 PRE-MOUNT

3 ALIGN & CENTER


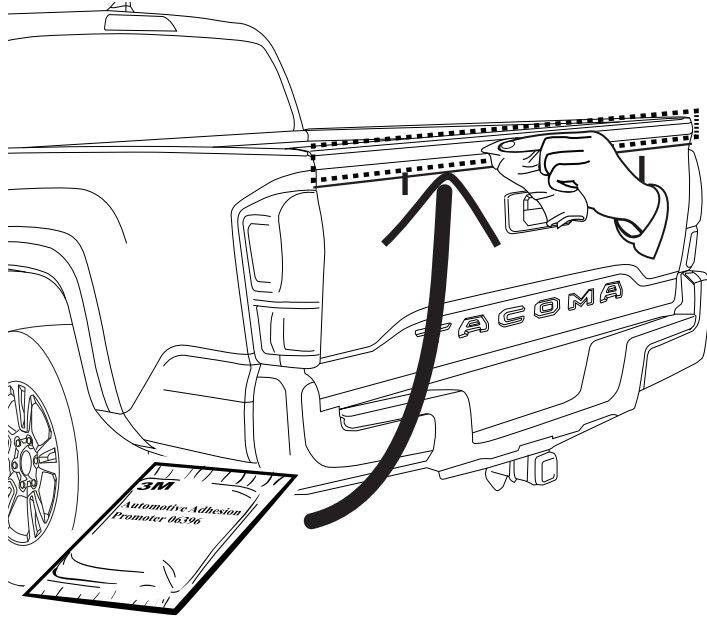
LEAVE APPROXIMATELY 1/8" FROM THE EDGE, ON BOTH SIDES

DRAW CENTER HASH MARK WITH GREASE PENCIL ON WING SPOILER AND SHEET METAL, THIS WILL ENSURE WING SPOILER WILL BE CENTERED TO GREASE PENCIL OUTLINE.



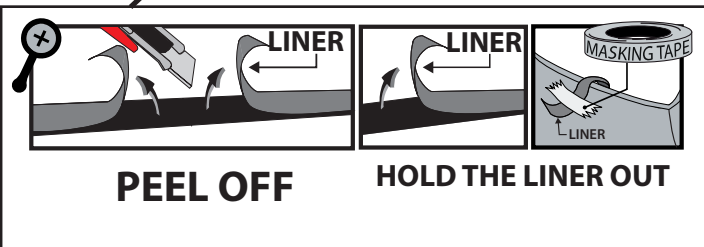
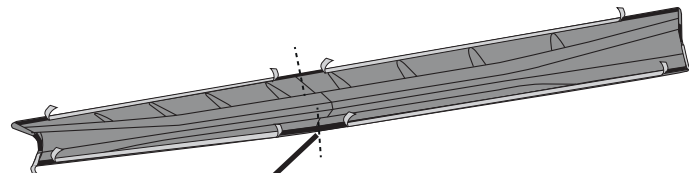
INSTALLATION MANUAL

4 ADHESION PROMOTER



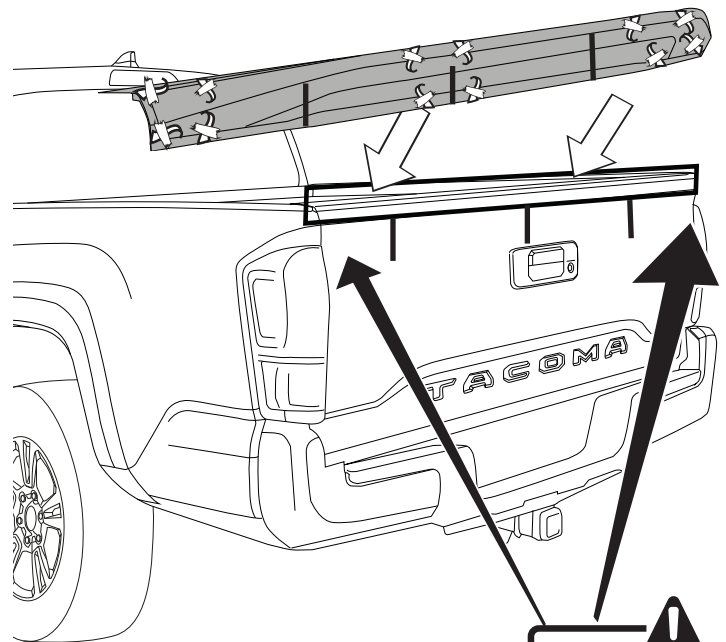
A full surface contact between tape and substrate is decisive for good adhesion performance. Contact is achieved by applying pressure. In practice a pressure between 40 and 50 N/cm² is usually needed and an application temperature between 25 and 45 °C or 77 and 113 °F is also necessary. During application, add-on parts and tapes must have the similar temperature.

5 PEEL



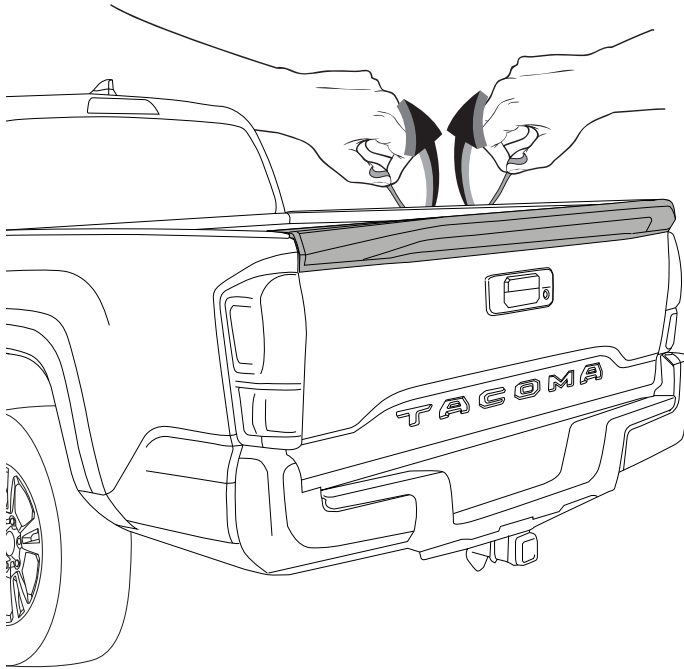
WARM SURFACES WITH HEAT GUN IF SURFACE TEMPERATURE IS TOO COLD.

6 PLACE

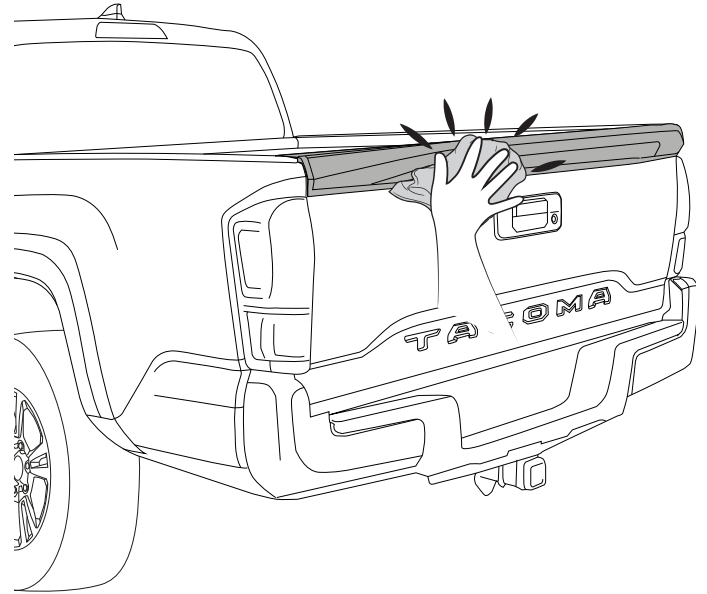


INSTALLATION MANUAL

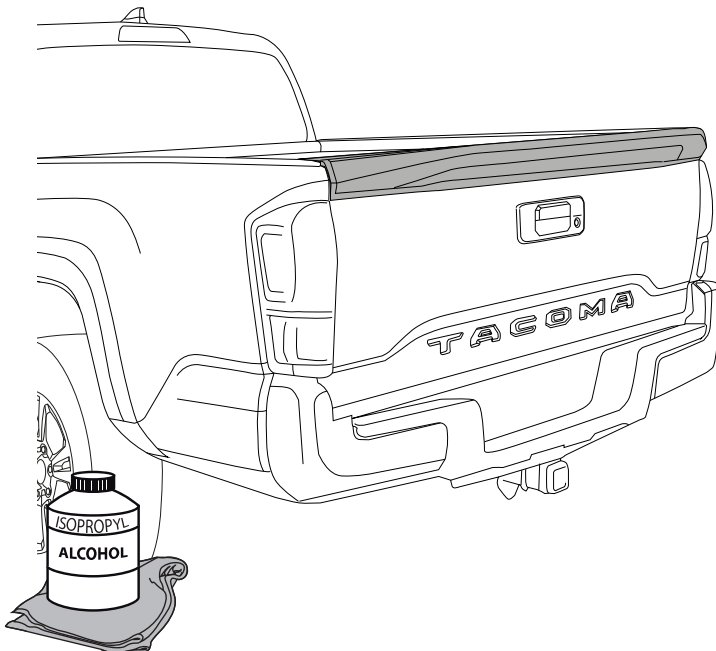
7 REMOVE LINER



8 PRESS FIRMLY



9 CLEAN



INSTALLED PART

